



Catalogue
CATERING
Chapter
DISHWASHING

Model
CO-400 COLD B DD 230V 1N 50/60Hz

19029233

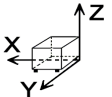
03/04/2019

CO-400 COLD B DD DISHWASHER

- Front-loading glass washers - EVO Generation
- Constructed in stainless steel.
- Door with double wall.
- Double rotating wash and rinse system, top and bottom, in stainless steel.
- Rounded tank to facilitate washing and drainage.
- Stainless steel armoured heating elements in the wash tank and rinse boiler.
- Thermostatic control of temperatures (wash, 60°C, and rinse, 90°C).
- Safety thermostat
- Rinse aid doser incorporated.
- Fitted with non-return valve.
- 260 W wash pump
- Water consumption per 2.2 litre cycle.
- Magnetic safety stop switch in door opening.
- Model for 400 x 400 mm baskets.
- Model with mechanical - analogue control. 120" fixed wash cycle and maximum production of 30 baskets/hour.
- Useful internal height of 270 mm.
- Tank with volume of 15 litres, with 2 kW heating element.
- Tank with volume of 4 litres, with 2.8 kW heating element.
- IPX4 anti-humidity protection.
- Manual push button for final cold rinse (COLD Model)
- Drainage pump - power 30 W - tank emptying program.
- Peristaltic detergent doser.

Equipment included:
 "Two 400 x 400 mm base baskets, 1 supplement for plates and a small basket for cutlery."
 "

DIMENSIONS



X Width	470 mm	X Gross width	530 mm
Y Depth	520 mm	Y Gross depth	680 mm
Z Height	720 mm	Z Gross height	890 mm
Net Weight	39,0 kg	Gross Weight	44,0 kg
Net volume	0,176 m3	Gross volume	0,321 m3

ELECTRICITY TECHNICAL SPECIFICATIONS

Electric power	3,060 kW
Heating power	2,80 kW
Voltage	230V - 1N
Amperage	13,3
Electric frequency	50/60Hz

WATER TECHNICAL SPECIFICATIONS

Pressure	H2O: 200-400kPa(2-4bar)
Water max consumption	50,00 L/h

CONNECTIONS TECHNICAL SPECIFICATIONS

Single-phase 230V wiring	2X2,5+T - 20 A
Hot softened water diameter	3/4"
Drain 1 diameter	2"

OTHERS

Noise level	62,00 dB
-------------	----------



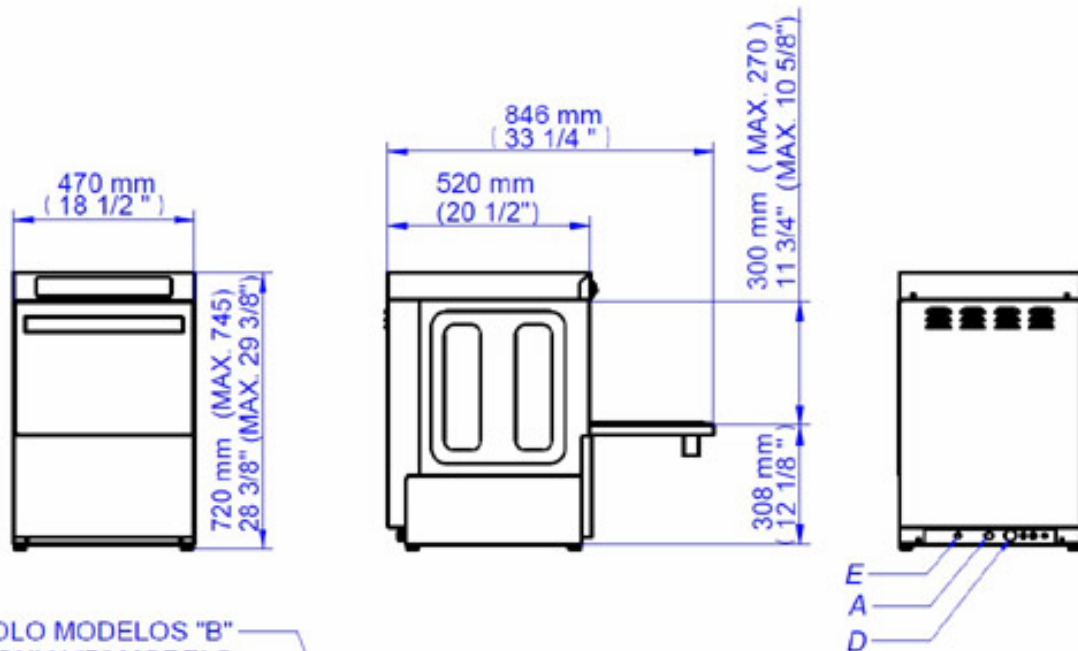
Catalogue
CATERING

Chapter
DISHWASHING

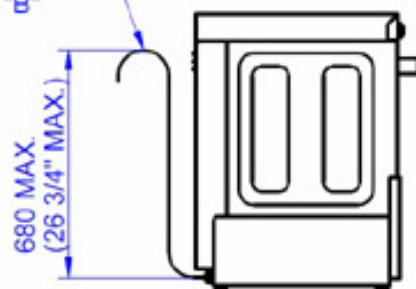
Model
CO-400 COLD B DD 230V 1N 50/60Hz

19029233

03/04/2019



SOLO MODELOS "B"
ONLY "B" MODELS
SEULEMENT MODÈLES "B"



A: ENTRADA DE AGUA
E: ALIMENTACIÓN ELÉCTRICA
D: DESAGÜE

A: WATER INLET
E: ELECTRICAL CONNECTION
D: DRAIN

A: ARRIVÉE D'EAU
E: CONNEXION ÉLECTRIQUE
D: VIDANGE